

**⚠ This user guide should be handed to all user's of the automation. 11.1 – WARNINGS.**

- Monitor the gate while it is moving and keep at a safe distance until it is fully open or closed; do not transit through it until the gate is fully open and stopped.
- Do not let children play near the gate or with its commands.
- Keep the transmitters away from children.
- Suspend the use of the automation immediately as soon as you notice something abnormal in the operation (noises or jolting movements); failure to follow this warning may cause serious danger and accidents.
- Do not touch moving parts.
- Regular maintenance checks must be carried out by qualified personnel according to the maintenance plan.
- Maintenance or repairs must only be carried out by qualified technical personnel.
- Send a command with the safety devices disabled:

If the safety devices do not work properly or are out of order, the gate can still be operated.

01. Activate the gate control with the transmitter or the devices connected to the SbS terminal. If the safety devices give the enable signal, the gate opens normally; otherwise, reattempt within 3 seconds and keep the control activated.
02. After approximately 2 seconds the gate will start moving in the "man present" mode, that is, so long as the control is kept activated the gate will keep moving; as soon as the control is released the gate will stop.

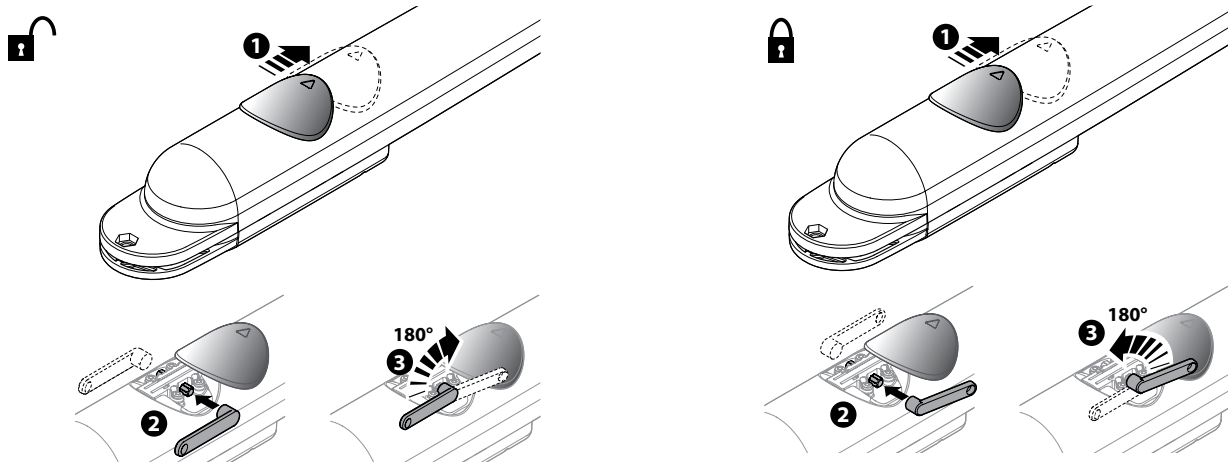
If the safety devices are out of order, arrange to repair the automation as soon as possible.

### 11.2 – Manually releasing and locking the gearmotor

ARIA gearmotors (models 200M/400M) are equipped with a mechanical system that allows for opening and closing the gate manually.

Manual operation must be performed in the case of a power outage or in the event of anomalies affecting the system. In case of a power outage, a back-up battery can be used (model PR100 - not supplied) (see Chapter 9 - Further information, or the relevant instruction manual).

In the event of a gearmotor fault, it is still possible to try release the motor to check whether the fault lies in the release mechanism.



### 11.3 – User-admissible maintenance operations

The operations that the user must carry out periodically are listed below:

01. Disconnect the power supply.
02. Check for any deterioration in automation system components, paying special attention to erosion or oxidation of the structural parts. Replace any parts which are below the required standard.
03. Check that all screw fasteners are properly tightened.
04. Check that the nut and worm screw are adequately greased.
05. Check the state of wear of all moving parts and replace any worn components.
06. Connect the power supplies up again, and run all the tests and checks described in Chapter 5.
07. Cleaning of surfaces: use a slightly damp (not wet) cloth. Do not use substances containing alcohol, benzene, thinners or other flammable substances; the use of these substances may damage the devices and cause fires or electric shocks.

For all other equipment in the system, refer to the respective user manuals.

### 11.4 – Replacing the transmitter battery

If, when a key is pressed, the relevant led turns on then immediately fades and turns off, it means that the battery is completely flat and should be immediately replaced.

If instead the led turns on only for a moment, it means that the battery is partially flat; the key must be kept pressed for at least half a second for the transmitter to attempt to send the command.

**⚠ Batteries contain polluting substances: do not dispose of them together with common waste but adopt the methods envisaged by the local regulations.**

